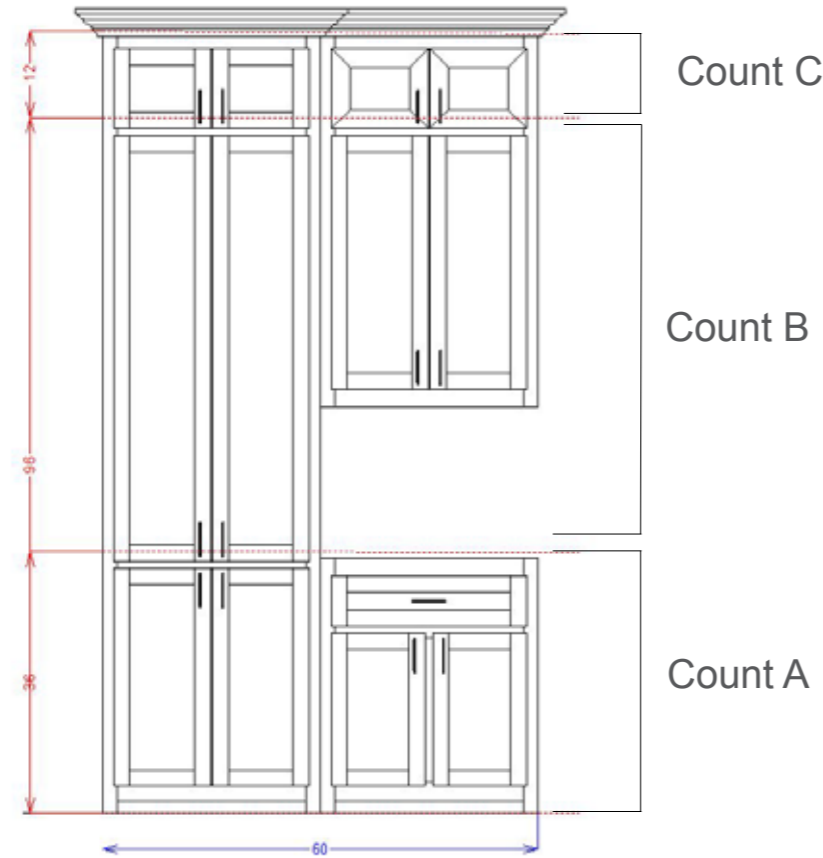


How to Calculate Linear Footage

Linear Foot Calculation is based off of 36" (3 foot) high sections. Every 3' of height equals one count. Above Cabinet Storage, or Tall Cabinets over 8' will count as an extra half count



Example:

Count A = One Count

Count B = One Count

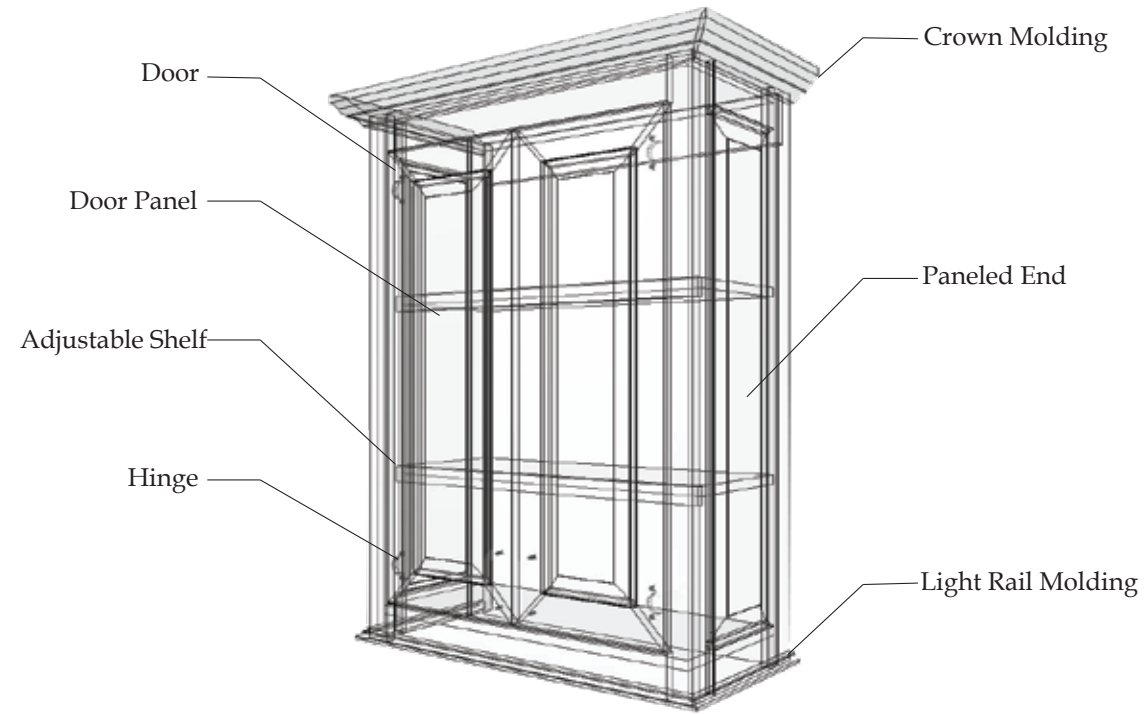
Count C = Half Count

$$5' \times 5' \times 2.5' = 12.5'$$

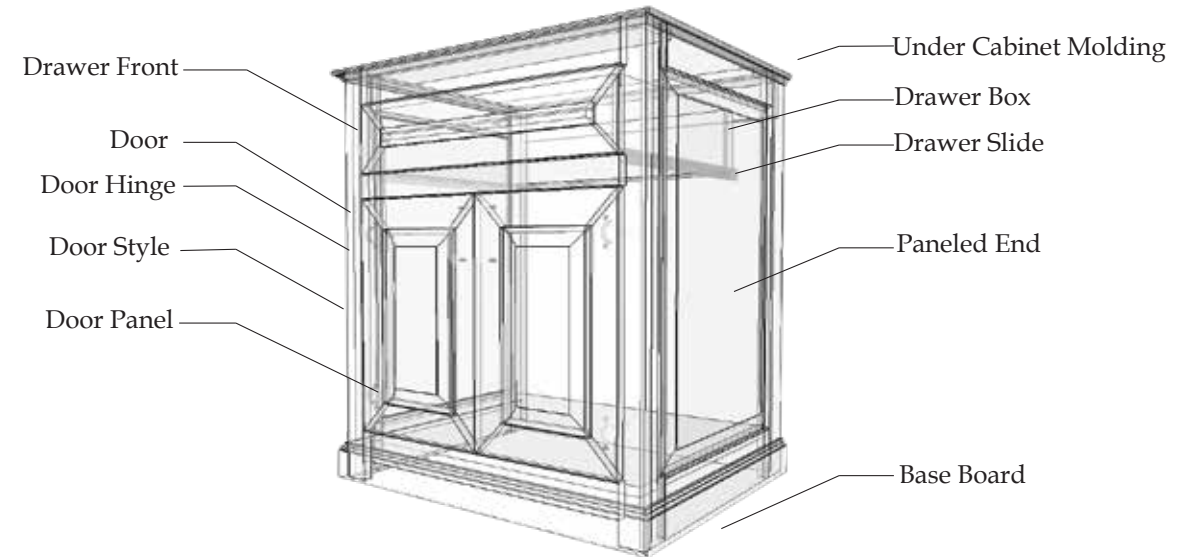
The diagram to above equals **12.5 Linear Feet**

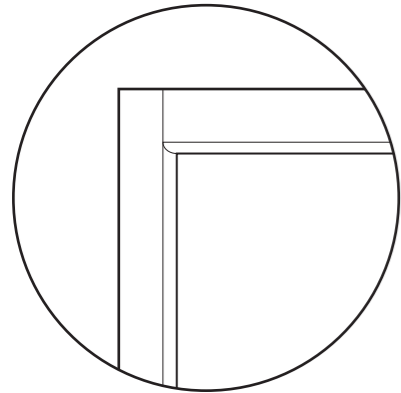


Artisan Premium Upper



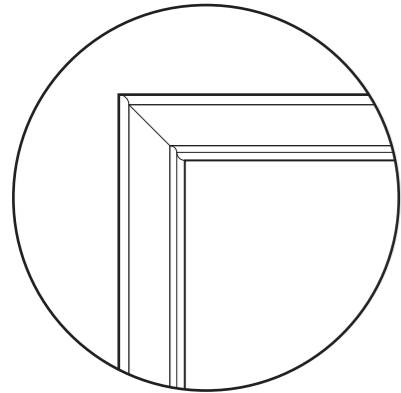
Artisan Premium Base





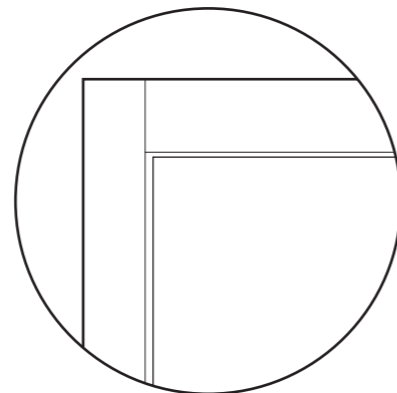
Cope & Stick Frame

Cope & Stick door construction is a traditional form of cabinet door construction. It provides a sturdy connection that can withstand years of use. This construction method is limited to profiles without outside beads.



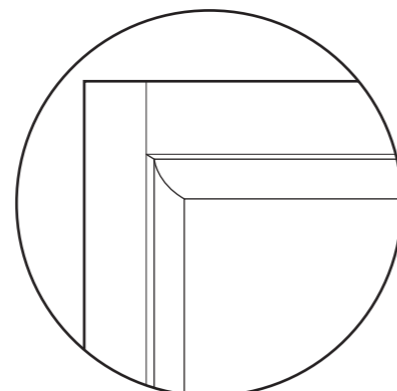
Mitered Frame

Mitered door frames are joined together with mitered cuts, and "butterfly" plugs. This construction method allows for a wide range of profile options



Flat Panel

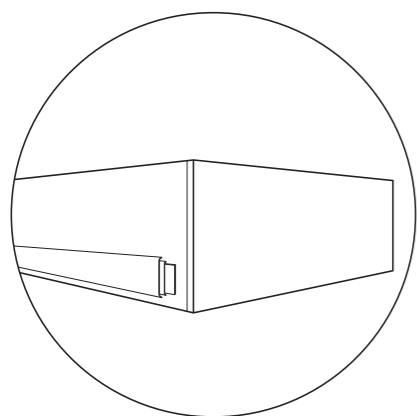
Flat Panels are constructed with MDF panels for paint grade doors, and Plywood for stained doors. It provides a simple, "clean" look.



Raised Panel

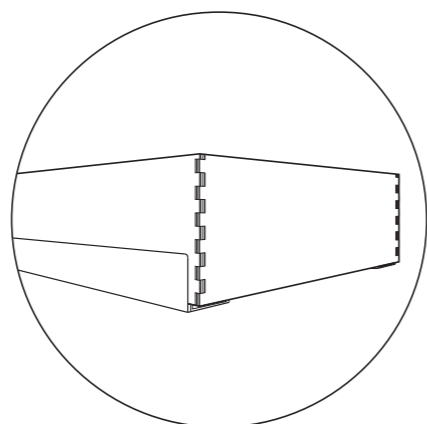
Raised panels are constructed with MDF panels for Paint Grade doors, and Laminated hardwood for stain grade doors. Multiple profiles can be applied for an extra level of detail.





Standard Construction

Standard Construction is made from 1/2" Baltic Birch with 1/4" Birch bottom. Boxes are painted to match the Drawer Fronts



Artisan Construction

Artisan Construction is made from 1/2" Baltic Birch with 1/4" Birch Bottoms. The corners are jointed by finger joints, that provide both strength and detail. The box is clear coated to display the finger joints, and is branded with the Artisan Workshop Logo

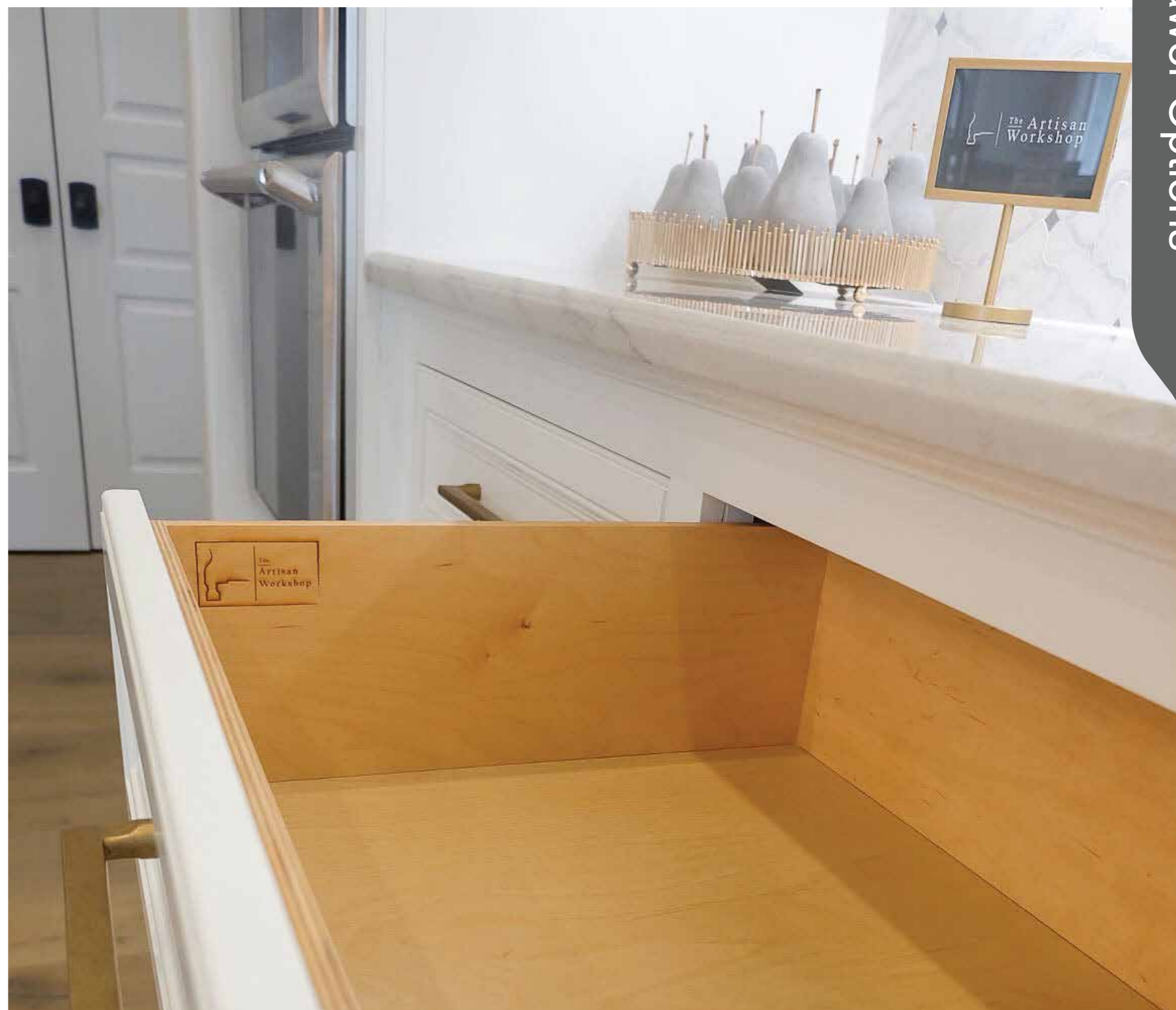


EZ-Open Soft Close Sidemount Slides

The Artisan Workshop's Standard drawer slide. A high quality softclose slide rated for 100 lbs.

Dura-Close Heavy Duty Soft-close Undermount Slide

An upgraded Soft Close slide technology. Undermount Slides mount to the bottom of the drawer providing a more stable, stronger slide action



Artisan Standard

Package includes

- Toekick Style Construction
- Overlay Doors
- Cope & Stick Door Profiles
- Flat Panel Doors
- Softclose, Side Mount, Slides
- Painted Drawers

\$175
Per Linear Foot



Artisan *Classic*

Package Includes

- Artisan Base Board Construction
- Overlay or Inset Doors
- Cope & Stick or Mitered Door Profiles
- Flat Panel Doors
- EZ Open Softclose, Side mount, Drawer Slides
- Painted Drawers
- Base Board
- Crown Molding
- Under Cabinet Molding
- Light Rail Molding

\$230
Per Linear Foot



Artisan *Premium*

Package Includes

- Artisan Base Board Construction
- Overlay or Inset Doors
- Cope & Stick or Mitered Door Profiles
- Raised or Flat Panel Doors
- Hardware Resources Undermount, Softclose Drawer Slides
- Finger Jointed, Clear Coated, Branded Drawer Boxes
- Base Board
- Crown Molding
- Under Cabinet Molding
- Light Rail Molding
- Paneled Ends

\$275
Per Linear Foot

